

**For Residential and Commercial Applications**

|                |  |                      |  |
|----------------|--|----------------------|--|
| Job Name       |  | Engineer / Architect |  |
| Job Location   |  | Wholesaler           |  |
| Submittal Date |  | Contractor           |  |

## 55 Series Flare Elbow

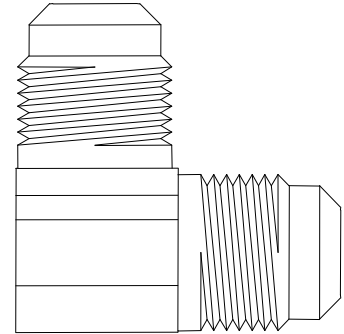
**Use:** For use with fuel, oil, liquefied petroleum (LP) and natural gas lines. Designed for use with aluminum, copper, brass and welded steel tubing that can be flared

**Design Features:**

- **Recommended for higher pressures** than those covered by compression fittings
- **Resist mechanical pull out**
- **Available in a broad range of sizes**

**Operating Specifications:**

- Temperature:** -65° - 250° F at maximum operating pressures  
**Working Pressure:** See chart below  
**Vibration:** Good vibration resistance\*



\*Recommend long flare nuts when greater vibration resistance is required

| <b>MAXIMUM WORKING PRESSURES</b> |           |                                            |       |       |       |       |                               |       |       |       |       |
|----------------------------------|-----------|--------------------------------------------|-------|-------|-------|-------|-------------------------------|-------|-------|-------|-------|
| Service Conditions               | Tube O.D. | Type of Tubing and Wall Thickness (Inches) |       |       |       |       |                               |       |       |       |       |
|                                  |           | Copper – Dead Soft (Seamless)              |       |       |       |       | Copper – Half Hard (Seamless) |       |       |       |       |
|                                  |           | .030"                                      | .032" | .035" | .049" | .065" | .032"                         | .035" | .042" | .049" | .065" |
| Safety Factor 4-1                | 1/8       | 4300                                       |       | 5000  |       |       | 5000                          |       |       |       |       |
|                                  | 3/16      | 2850                                       |       | 3300  |       |       | 3400                          |       |       |       |       |
|                                  | 1/4       | 2100                                       | 2250  | 2500  |       |       | 2500                          |       |       |       |       |
|                                  | 5/16      |                                            | 1800  | 2000  |       |       | 2000                          |       |       |       |       |
|                                  | 3/8       |                                            | 1500  | 1650  |       |       | 1700                          | 1850  |       |       |       |
|                                  | 1/2       |                                            | 1100  | 1250  |       | 2000  | 1250                          | 1400  |       |       | 2600  |
|                                  | 5/8       |                                            |       | 1000  | 1400  | 1800  | 1000                          |       |       | 1500  | 2000  |
|                                  | 3/4       |                                            |       | 850   | 1150  | 1500  |                               |       | 1100  |       | 1700  |
|                                  | 7/8       |                                            |       |       |       |       |                               |       | 1100  | 1500  |       |
| Safety Factor 6-1                | 1/8       | 2800                                       |       | 3350  |       |       | 3400                          |       |       |       |       |
|                                  | 3/16      | 1900                                       |       | 2200  |       |       | 2250                          |       |       |       |       |
|                                  | 1/4       | 1430                                       | 1500  | 1650  |       |       | 1700                          |       |       |       |       |
|                                  | 5/16      |                                            | 1200  | 1300  |       |       | 1350                          |       |       |       |       |
|                                  | 3/8       |                                            | 100   | 1100  |       |       | 1100                          | 1200  |       |       |       |
|                                  | 1/2       |                                            | 750   | 825   |       | 1550  | 850                           | 925   |       |       | 1750  |
|                                  | 5/8       |                                            |       | 650   | 930   | 1200  | 675                           |       |       | 1000  | 1350  |
|                                  | 3/4       |                                            |       | 550   | 775   | 1000  |                               |       | 725   |       | 1100  |
|                                  | 7/8       |                                            |       |       |       |       |                               |       | 750   | 1000  |       |

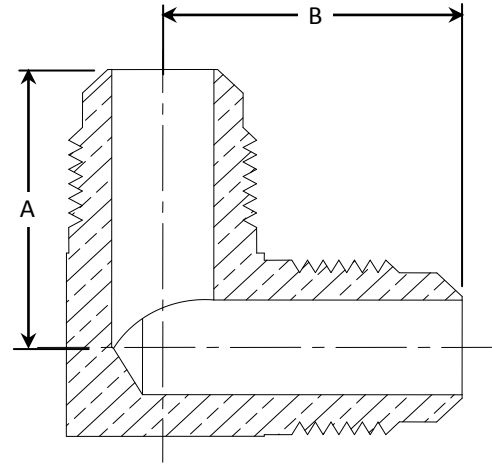
*This specification and all information contained herein is the confidential and exclusive property of BrassCraft Manufacturing, and shall not be disclosed to others without the written consent of BrassCraft. This specification must be returned to BrassCraft if requested.*



# 55 Series Flare Elbow

| MATERIAL SPECIFICATIONS |              |
|-------------------------|--------------|
| Fitting Body            | C36000 brass |

| PART DIMENSIONS (Inches) |                 |        |        |
|--------------------------|-----------------|--------|--------|
| Model                    | Straight Thread | DIM. A | DIM. B |
| 55-3                     | 3/8-24          | .73    | .73    |
| 55-4                     | 7/16-20         | .88    | .88    |
| 55-6                     | 5/8-18          | 1.04   | 1.04   |
| 55-8                     | 3/4-16          | 1.20   | 1.20   |
| 55-10                    | 7/8-14          | 1.39   | 1.39   |



**Part Listing:**

- 55-3 B                    3/16" OD Tube, both ends, bulk
- 55-4                        1/4" OD Tube, both ends
- 55-4 B                    1/4" OD Tube, both ends, bulk
- 55-6                        3/8" OD Tube, both ends
- 55-6 B                    3/8" OD Tube, both ends, bulk
- 55-6WN                  3/8" OD Tube, both ends, flare nuts included
- 55-8                        1/2" OD Tube, both ends
- 55-8 B                    1/2" OD Tube, both ends, bulk
- 55-8WN                  1/2" OD Tube, both ends, flare nuts included
- 55-10                     5/8" OD Tube, both ends
- 55-10 B                  5/8" OD Tube, both ends, bulk

*This specification and all information contained herein is the confidential and exclusive property of BrassCraft Manufacturing, and shall not be disclosed to others without the written consent of BrassCraft. This specification must be returned to BrassCraft if requested.*

